

TP3 7 Series Microminiature SMT Top Actuated IP67

Features/Benefits

- Watertight IP67
- Standard and long life versions
- Ultra low current capabilities
- Excellent tactile feel

Typical Applications

- Automotive
- Medical
- Consumer
- Industrial



Tactile Switches

B

Specification

FUNCTION: momentary action
CONTACT ARRANGEMENT: 1 make contact = SPST, N.O.
TERMINALS: Gullwing type for SMT

Mechanical

Type NG See description below	Operating force N (grs)	Operating life (cycles)	Travel (mm)
TP3711NG LFS	1.2 (120) ± 0.30	100,000	0.20 mm ± 0.1
TP3711NG ULC LFS	1.2 (120) ± 0.30	100,000	0.20 mm ± 0.1
TP3713NG LFG	1.2 (120) ± 0.30	100,000	0.20 mm ± 0.1
TP3713NG ULC LFG	1.2 (120) ± 0.30	100,000	0.20 mm ± 0.1
TP3721NG LFS	2.0 (200) ± 0.50	100,000	0.25 mm ± 0.15
TP3721NG ULC LFS	2.0 (200) ± 0.50	100,000	0.25 mm ± 0.15
TP3723NG LFG	2.0 (200) ± 0.50	100,000	0.25 mm ± 0.15
TP3723NG ULC LFG	2.0 (200) ± 0.50	100,000	0.25 mm ± 0.15
TP3731NG LFS	3.0 (300) ± 0.75	100,000	0.25 mm ± 0.15
TP3731NG ULC LFS	3.0 (300) ± 0.75	100,000	0.25 mm ± 0.15
TP3732NG LFS	3.0 (300) ± 0.75	300,000	0.25 mm ± 0.15
TP3732NG ULC LFS	3.0 (300) ± 0.75	300,000	0.25 mm ± 0.15
TP3733NG LFG	3.0 (300) ± 0.75	100,000	0.25 mm ± 0.15
TP3733NG ULC LFG	3.0 (300) ± 0.75	100,000	0.25 mm ± 0.15
TP3741NG LFS	4.0 (400) ± 1.00	100,000	0.30 mm ± 0.1
TP3741NG ULC LFS	4.0 (400) ± 1.00	100,000	0.30 mm ± 0.1
TP3742NG LFS	4.0 (400) ± 1.00	200,000	0.30 mm ± 0.1
TP3742NG ULC LFS	4.0 (400) ± 1.00	200,000	0.30 mm ± 0.1
TP3743NG LFG	4.0 (400) ± 1.00	100,000	0.30 mm ± 0.1
TP3743NG ULC LFG	4.0 (400) ± 1.00	100,000	0.30 mm ± 0.1

Electrical

	Silver	Gold
MAXIMUM POWER:	1 VA	0.2 VA
MAXIMUM VOLTAGE:	32 VDC	32 VDC
MINIMUM VOLTAGE:	20 mVDC	20 mVDC
MAXIMUM CURRENT:	50 mA	10 mA
MINIMUM CURRENT:	1 mA*	1 mA*
DIELECTRIC STRENGTH:	≥ 250 Vrms	
CONTACT RESISTANCE:	≤ 100 mΩ	
INSULATION RESISTANCE:	≥ 1GΩ	
BOUNCE TIME:	≤ 3 ms	

*For ULC version minimum current is 1μA at 1.8 VDC

Environmental

	Silver	Gold
OPERATING TEMPERATURE:	-40°C to 85°C	-40°C to 125°C
STORAGE TEMPERATURE:	-55°C to 85°C	-55°C to 125°C

Process

Infrared Reflow Soldering in accordance with IEC61760-1

Packaging

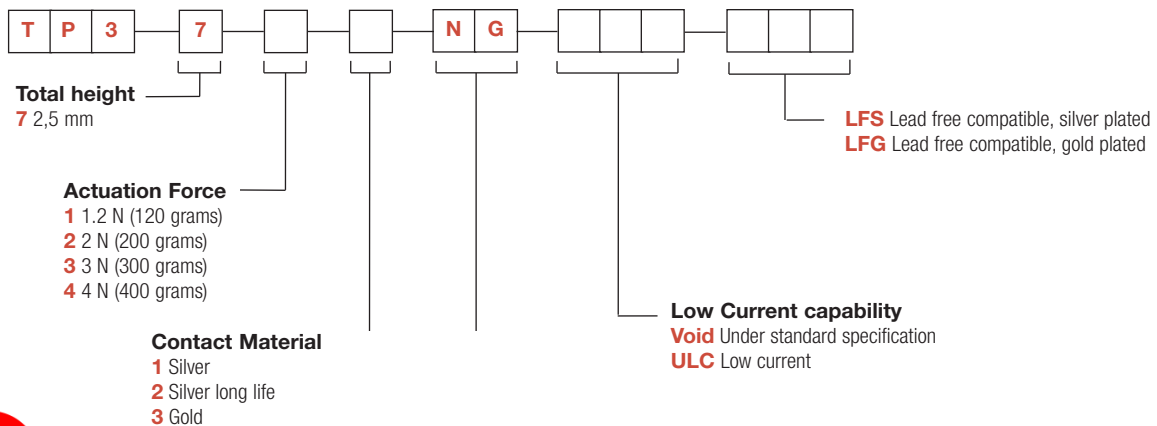
In reels of 6,000 pieces
External diameter 330 mm ± 2 mm

NOTE: Specifications listed above are for switches with standard options.
For information on specific and custom switches, consult Customer Service Center.

TACTILE FEELING: TP3 7 series with actuation force in 2N - 3N - 4N: ≥ 25%
TP3 7 series with actuation force in 1.2N: ≥ 20%

Part Number Description

For any part number different from those listed above, please consult your local representative.



* Silver long life is available in 3N and 4N actuation force.
For other versions, please contact Customer Service.



